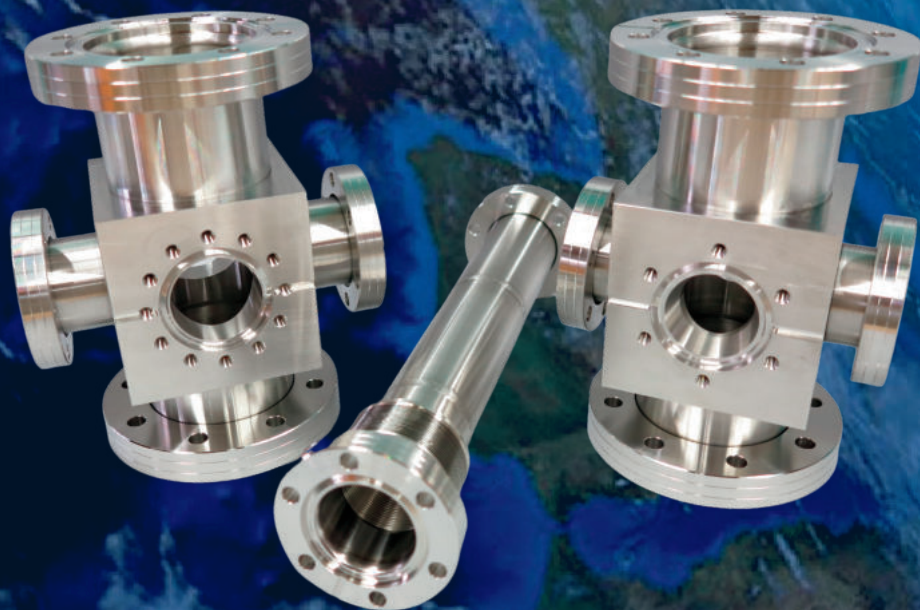


Your partner for vacuum technology
and space simulation

JUST
VACUUM
H

Small chambers, Special components, Small series components



Daimlerstraße 17
66849 Landstuhl



+49 (0) 6371 / 92 76 - 0



info@justvacuum.com

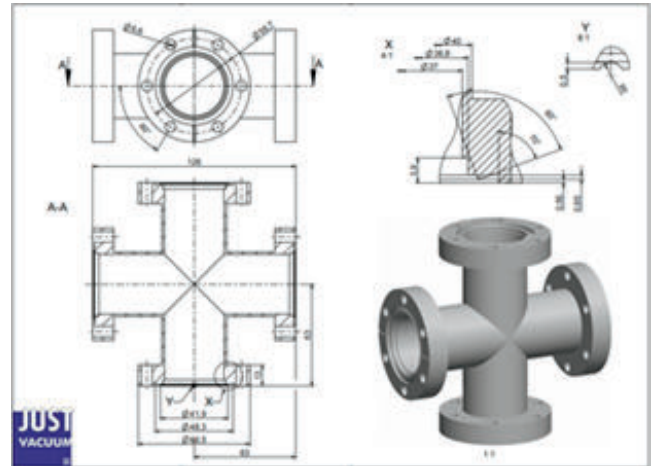


www.justvacuum.com

JUST VACUUM offers a wide range of standard vacuum components and manufactures special components such as special flanges, vacuum chambers, vacuum feedthroughs, and vacuum angle valves upon customer request.

JUST VACUUM supplies KF, ISO-K and CF flanges and standard components, seals, connections elements, bellows, and hoses for vacuum technology. These must meet the high standards of quality of vacuum technology in terms of material selection as well as production.

JUST VACUUM also manufactures special components according to customer drawings and prepares the necessary CAD design and manufacturing documents. All common materials such as stainless steel 1.4301 (304), 1.4404 (316L) or aluminum are used. Special solutions with 1.4429 (316LN), copper and magnetic shielding made of mu-Metal are also possible.



JUST VACUUM uses various surface finishing processes such as etching, glass bead blasting and electropolishing, and pays attention to the highest level of cleanliness. All vacuum chambers are leak tested to 10^{-10} mbar l/s and wrapped in film while preferably fitted with blank flanges.

JUST VACUUM has over 120.000 standard components in stock and is able to ship them within 24 hours. Due to the production location in Germany, Just Vacuum is independent of international suppliers and can guarantee short delivery times for individual special components and small series even in the event of supply bottlenecks.

